

Rasonic
樂信牌

RIC-SNG211 / RIC-SNG228

廚房專用雙頭電磁爐

Kitchen Use Double-Burner Induction Cooker



僅適用於家庭使用
For household use only

安裝說明書

Installation Instruction

- 在安裝本產品前，請仔細閱讀本說明書，並妥善保存本說明書以備用戶日後查詢。
- Please read the installation instruction carefully before using and well keep it in a safe place for future reference.
- 本說明書中的圖示可能有與實物不同的地方，僅供參考。
- Some figures in this instruction may not match with the real object, just for reference only.

非常感謝您選購樂信牌廚房專用雙頭電磁爐，在安裝前請先詳細閱讀本說明書，並保存以備日後參考。

目錄

1. 安全注意事項
2. 產品安裝尺寸圖
3. 訂製廚櫃(嵌入式)
4. 安裝位置
5. 電氣工程
6. 特別聲明

1. 安裝注意事項

1. 附件

甲、使用說明書及安裝說明書各一本

乙、產品保修登記一張

丙、泡沫密封條一網

2. 切勿在安裝本產品時將面板拆下。

3. 切勿將本產品安裝在洗碗碟機、洗衣機、乾衣機、焗爐或冰箱上面。

4. 安裝前，請務必進行測試運行，並告知用戶正確的使用方法。如將本產品作嵌入式安裝，機身的左、右、前及後方與牆身須有不少於100毫米的距離。機底須預留不少於150毫米高度和不少於80平方厘米的進風口／排氣口。如將本產品作座檯式安裝，機身的左、右、前及後方與牆身須有不少於100毫米的距離。

5. 嚴格按照此說明書安裝本機，如安裝不正確，可能會導致漏電或產品變得過熱。本產品必須將原裝電線連插頭接駁至13安培獨立插座上，如需接駁至固定線路上，須安裝在13安培或以上獨立開關掣，並須符合電力條例。

6. 如專用電路安裝不當，可能會導致電線異常發熱。

7. 必須由合資格的電氣技工進行安裝，如連接和維修工作不當，可能會導致漏電、故障或其他災害。

8. 切勿嘗試自行拆卸、維修或改裝本產品，任何自行改裝均有可能導致本產品操作出現異常，引起危險。

9. 依據規例正確安裝地線，避免在漏電時意外觸電。

10. 安裝地線應由合資格的電氣技工施工，如安裝不當，有可能引致漏電。

11. 如附帶的電源線有破損，則必須由信興電器服務中心有限公司進行更換，以免發生危險。

12. 切勿踐踏面板或使硬物墜於其上。如面板破裂或斷裂，會導致產品過熱或操作異常，甚至造成漏電。

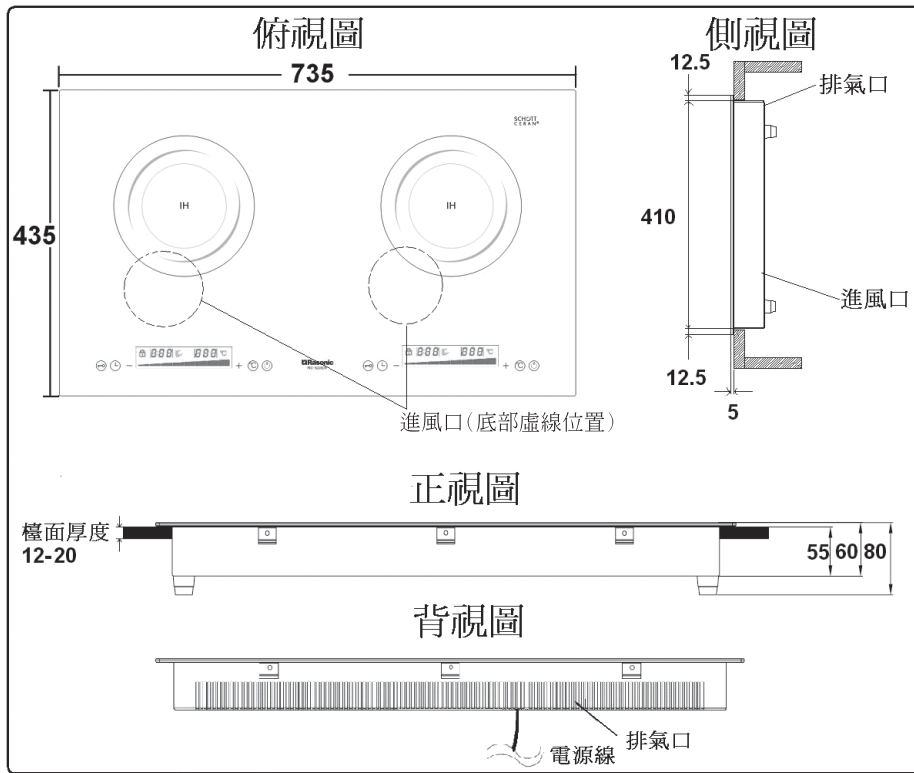
*****警告：**如果產品表面有裂紋，請關閉產品電源以避免觸電。

13. 切勿在本產品工作時觸摸面板及其他發熱部位，避免造成灼傷或其他意外。

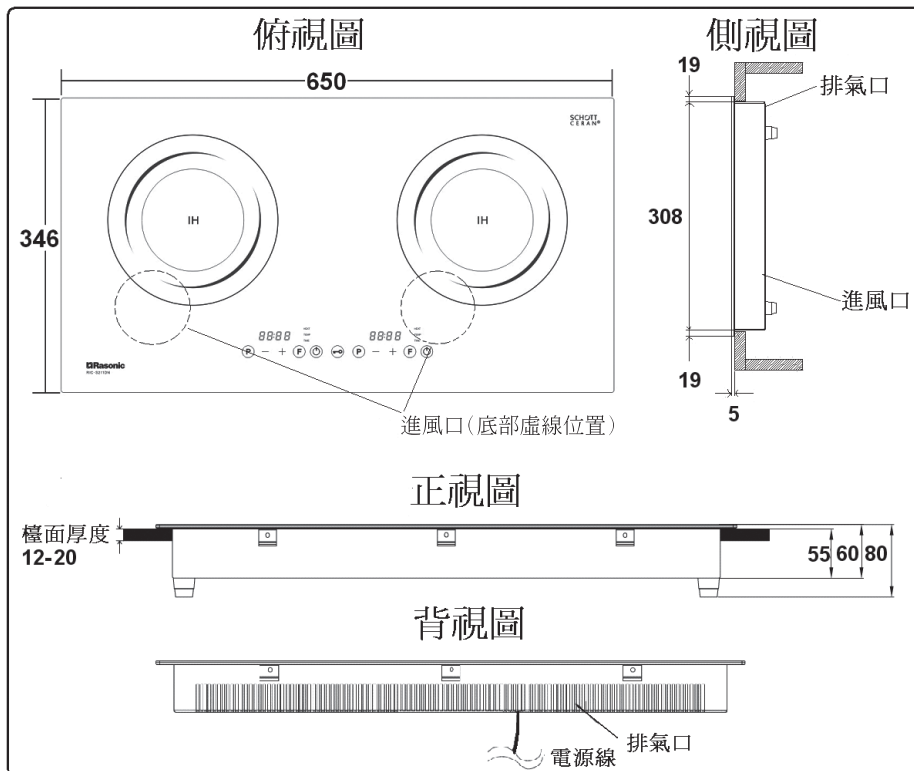
14. 操作台請使用耐熱材料，應使用等同熱固高壓耐火裝飾板或更好的耐熱材料。如使用非耐熱材料，則可能導致操作台變形甚至引發火災。切勿使用塗漆材料，有可能會造成褪色。

2. 產品安裝尺寸圖

(單位：毫米)



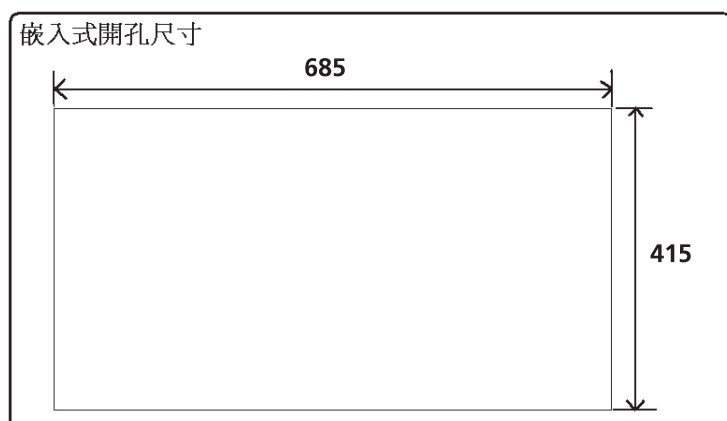
(適用於RIC-SNG228)



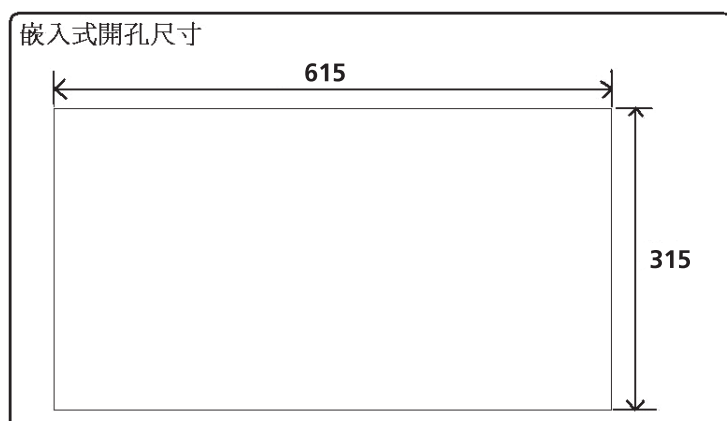
(適用於RIC-SNG211)

3. 訂製櫥櫃(嵌入式)

(單位：毫米)



(適用於RIC-SNG228)

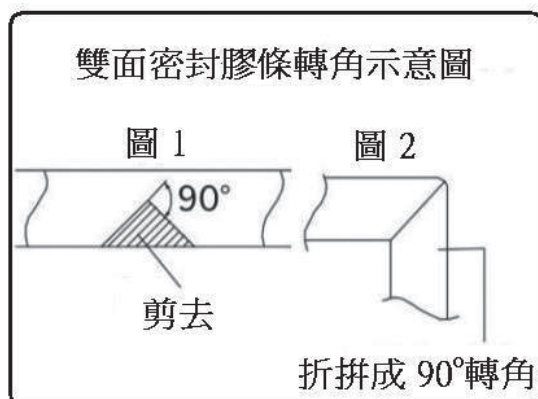


(適用於RIC-SNG211)

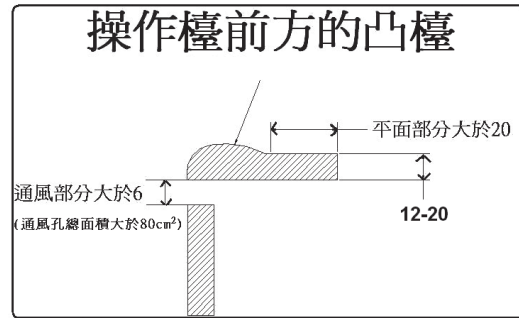
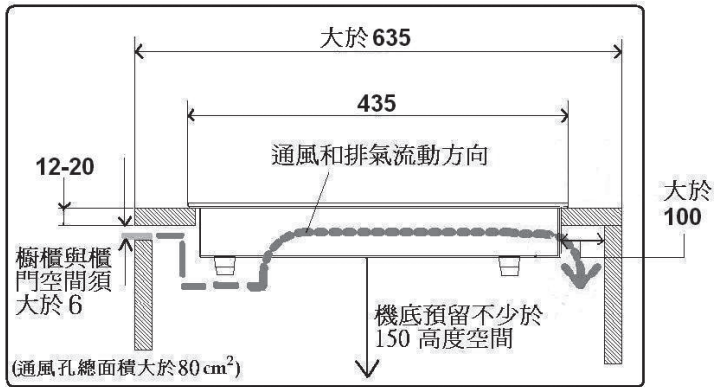
3.1 密封條

隨機附送的密封膠條長度約3米，將密封條內角90°剪去(圖1)，注意轉角處不宜剪斷，然後折拼成90°轉角(圖2)。撕去密封條保護紙並平整地沿操作台的四邊貼上，再將密封條另一面的保護紙撕去，然後將產品準確地放上並壓緊。

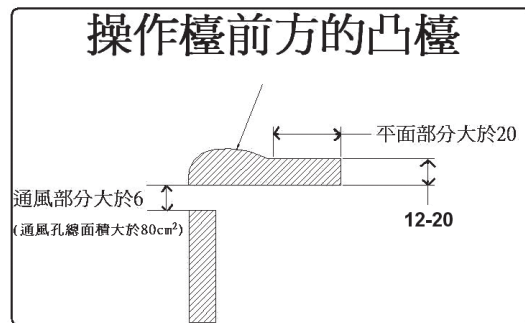
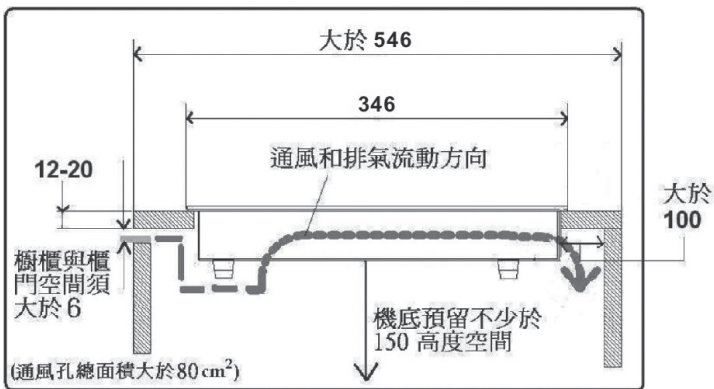
***注意：密封條須黏貼1圈，不宜分段，因為斷開的密封條起不了密封作用。



3.2 確保櫥櫃與櫃門有足夠的通風口空間及機底須預留高度，以達到良好的通風效果（單位：毫米）



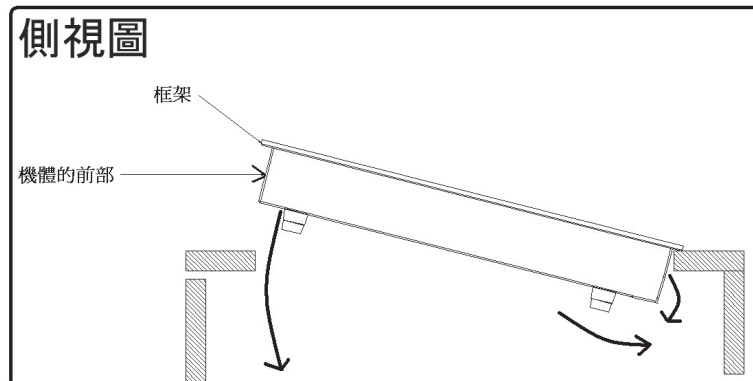
(適用於RIC-SNG228)



(適用於RIC-SNG211)

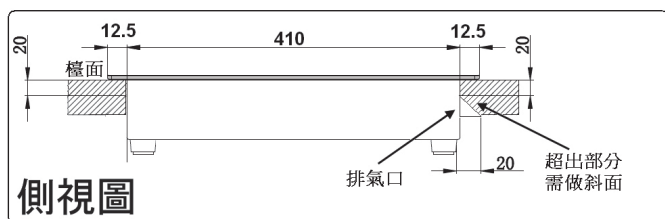
先將本機後部放進操作檯內，並裝配好整體位置

- 切勿使本產品跌落操作檯上。
- 確保框架底部和操作檯之間的縫隙與前後左右的距離正好相同。
- 如附帶的電線卡在本機的底部，或側面與櫥櫃之間，則有機會因縫隙不同而導致本機發生搖晃。
- 如操作台上有凸檯，切勿將本機置於凸檯的位置上。
- 將本機水平放入安裝孔，並確保本機平整及穩固放置。

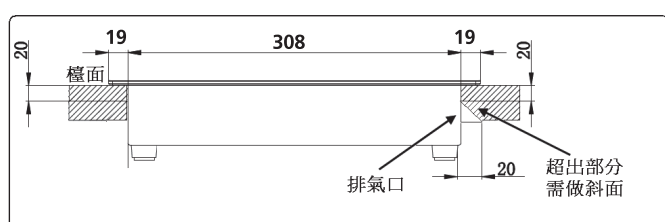


3.3 如檯面厚度超過20毫米，請於機背的排氣口那一邊的檯面超出部分做斜面

(單位：毫米)



(適用於RIC-SNG228)



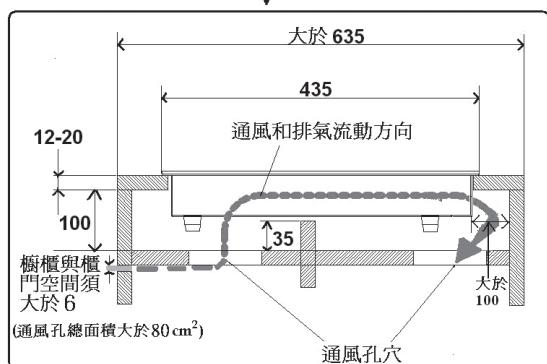
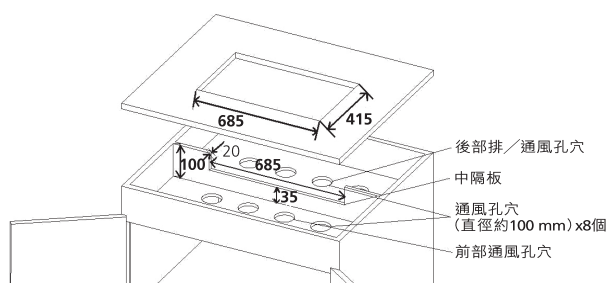
(適用於RIC-SNG211)

3.4 如機底沒有足夠的通風空間或裝有隔板

(單位：毫米)

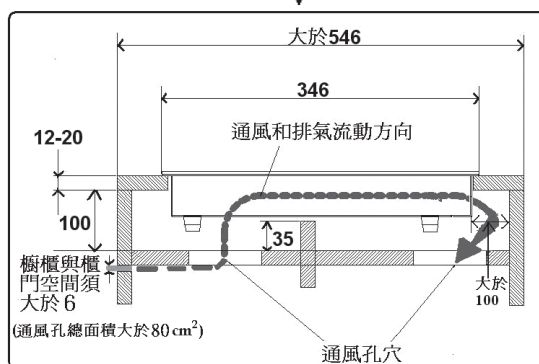
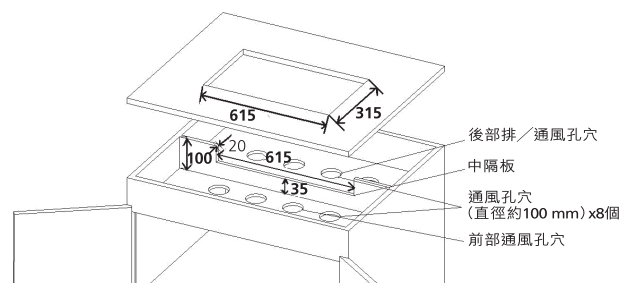
請用圓孔鋸鑽孔，為隔板加上進風孔穴(如下圖)。

櫥櫃通風結構和開孔尺寸



(適用於RIC-SNG228)

櫥櫃通風結構和開孔尺寸



(適用於RIC-SNG211)

重要事項

裝有電磁爐的櫃檯下方位置，切勿擺放雜物，以達致良好的通風效果。

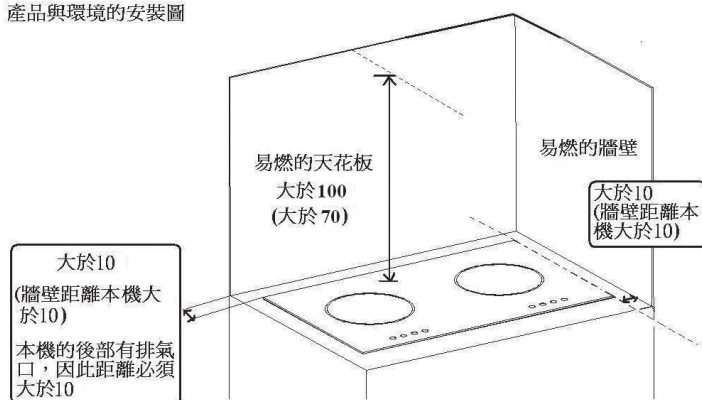
4 安裝位置

(單位：厘米)

距牆的距離(如周圍是易燃材料的牆壁/無防火結構的牆)

***注意：括號內僅為有防火牆或安裝了絕熱板的情況進行說明。

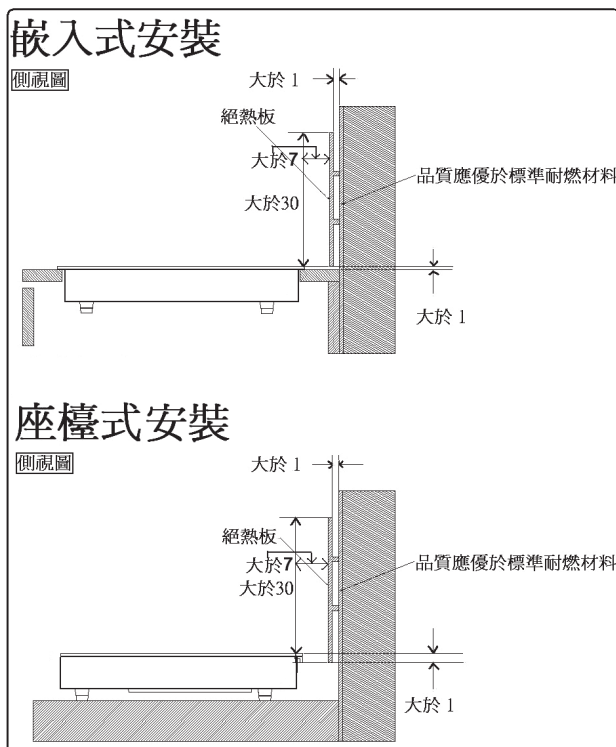
產品與環境的安裝圖



安裝隔熱板

(單位：厘米)

如產品背後位置空間少於上圖所標示距離，建議安裝絕熱板後，再根據以下圖示安裝本產品。



重要事項

安裝時，切勿使本機的金屬部件與廚房的金屬部件接觸。

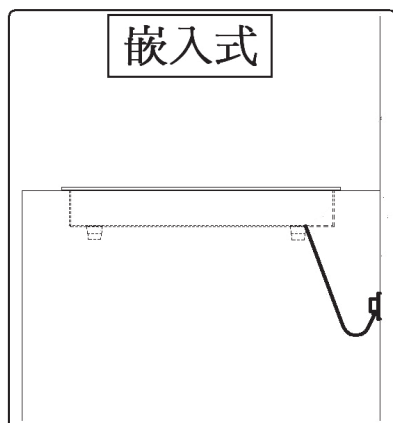
如本產品的金屬部件與廚房的金屬部件互相接觸，請將接觸廚房的金屬部件放入牆內(如：金屬板網)。

5 電氣工程(電氣工程應由合資格的電氣技工施工)

- 依據當地的規例完整安裝地線。
- 將電源安裝於適當的位置，以便遇到緊急情況時可以及時切斷。
- 為免拉扯或扭曲電源線，應注意電源插頭的方向。

5.1 安裝牆壁插頭(嵌入式)

- 將牆壁插座安裝於一個在日常運作時也能夠輕易拔掉插頭的地方。



5.2 安裝牆壁插頭(座檯式)

- 將牆壁插座安裝於遠離熱氣、水源和會有食物噴濺的地方。

6. 特別聲明

1. 本資料上所有內容經過核對，如有任何印刷及內容上的誤解，本公司將保留解釋權。
2. 本產品若有技術改進，會編進新版說明書中，恕不另行通知。
3. 如本資料之中英文版本有差異時，應以中文版為準。
4. 產品外觀、顏色、規格，安裝指示圖和安裝尺寸等只供參考，請以實物為準。
5. 安裝說明書的電子副本可以經電子郵件發送至用戶，如有需要，可致電信興電工工程有限公司：2861 2767。

Thank you for purchasing Rasonic Kitchen Use Double-Burner Induction Cooker. Read the installation instruction carefully before installation and well keep it for your future reference.

Table of Contents

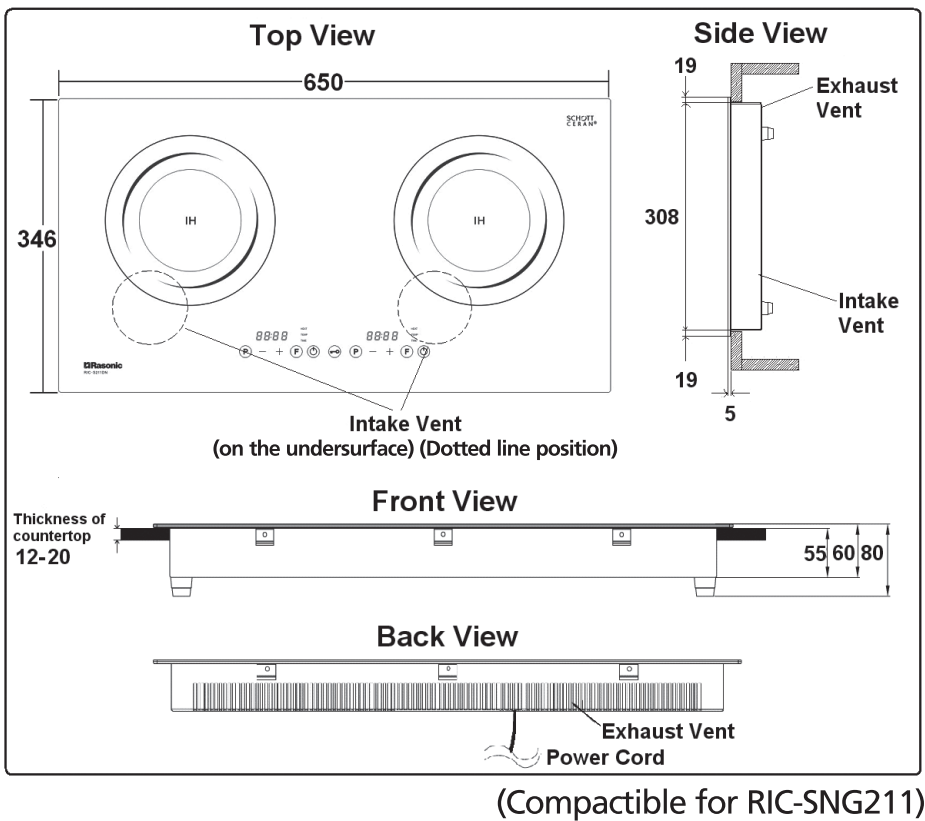
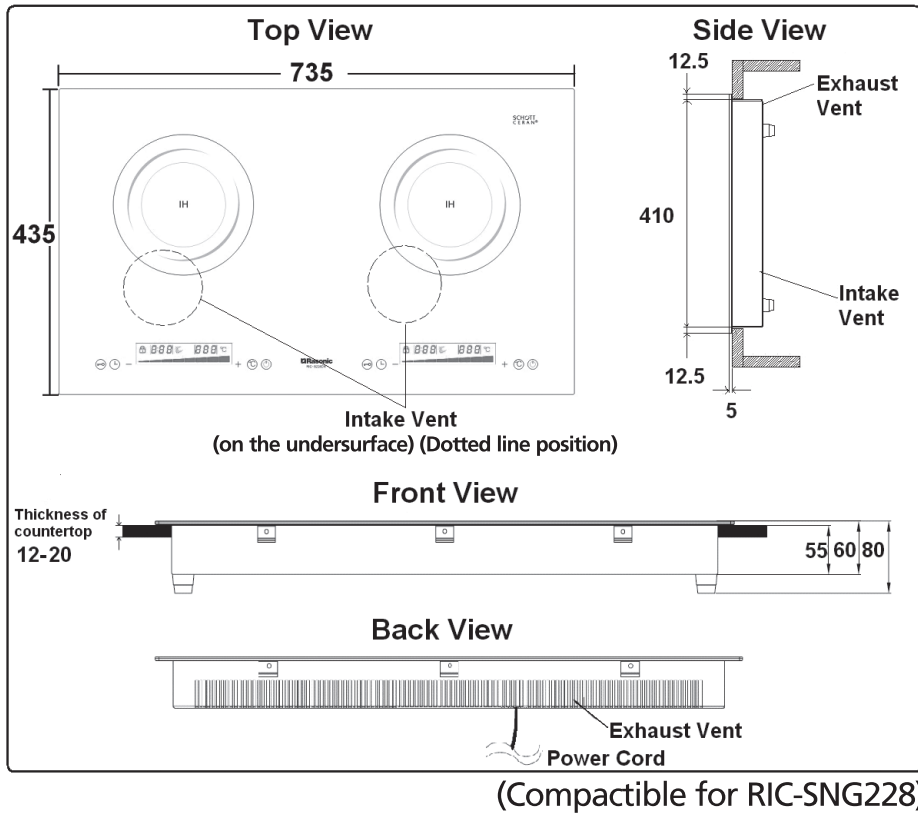
1. Safety Precautions
2. Product Installation Dimensions
3. Customize Kitchen Cabinet (Built-in)
4. Installation Location
5. Electrical Work
6. Special Avowal

1. Safety Precautions

1. Accessories
 - a. A copy of operation manual and installation instruction
 - b. A copy of product warranty registration
 - c. A bundle of foam adhesive tape
2. Do not disassemble the top plate during installation.
3. Do not install the appliance over a dishwasher, washing machine, dryer, electric oven or refrigerator.
4. Make sure to have a trial test and give an appropriate demonstration to end user before installing the appliance. For built-in installation, leaving at least 100 mm space at the sides, front and back from the wall. Also, at least 150 mm height and 80 cm² should be reserved for air inlet/exhaust space. For free-standing installation, leaving at least 100 mm space at the sides, front and back from the wall.
5. Follow the instruction when installing the appliance. If improperly installed, it may cause electric leakage or lead to overheat. Connect the original power cord with plug to an independent 13A socket. If fixed connection wiring is needed, connection must be incorporating an independent switch with 13A or above in accordance with the Electricity Ordinance.
6. If dedicated circuit wiring is connected incompatibly, it may probably lead to abnormal raise of wiring temperature.
7. Installation should be done by a qualified electrician. If the connection or repairing is finished improperly, it may cause electric leakage, malfunction or hazard.
8. Never disassemble, repair or modify the appliance by yourself. Attempt to do so may cause the appliance to abnormal operation or cause hazards.
9. Install the grounding completely with related ordinance. Installation of grounding can avoid electric shock once electric leakage occurs.
10. The grounding should be installed by a qualified electrician. If installed improperly, it may lead to electrical leakage.
11. If the power cord is damaged, it must be replaced by Shun Hing Electric Service Centre Ltd. in order to avoid hazard.
12. Do not step on or drop any hard objects on the top plate. If it is cracked or broken, it may cause overheat, abnormal operation or electric shock.
*****WARNING:** If the surface is cracked, switch off the appliance to avoid the possibility of electric shock.
13. Do not touch the top plate or other heating areas during operation. It may cause burn or other hazards.
14. Use heat resistant materials for countertop where it should be the same or better than thermosetting high-pressure decorative sheet. If the materials are not heat resistant, it may cause deformation or fire. Do not use varnished material as they may cause discolor.

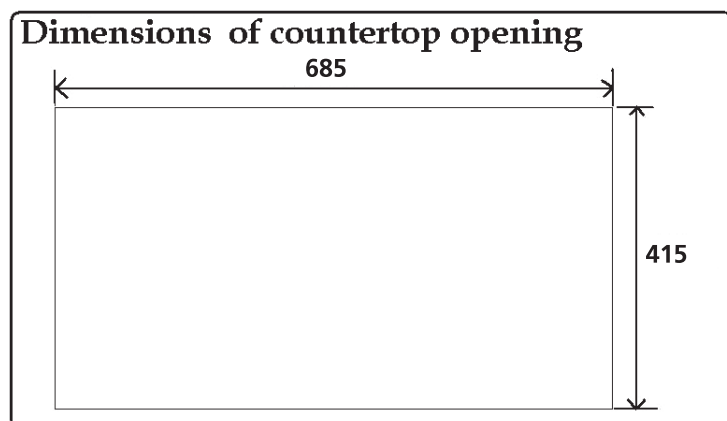
2. Product Installation Dimensions

(Unit: mm)

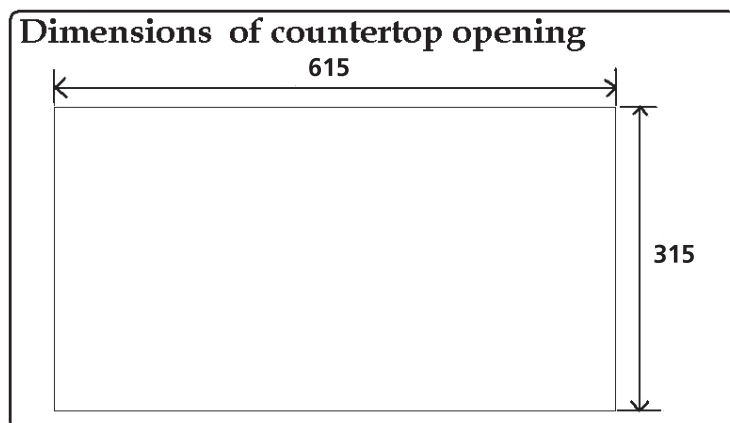


3. Customize Kitchen Cabinet (Built-in)

(Unit: mm)



(Compatible for RIC-SNG228)

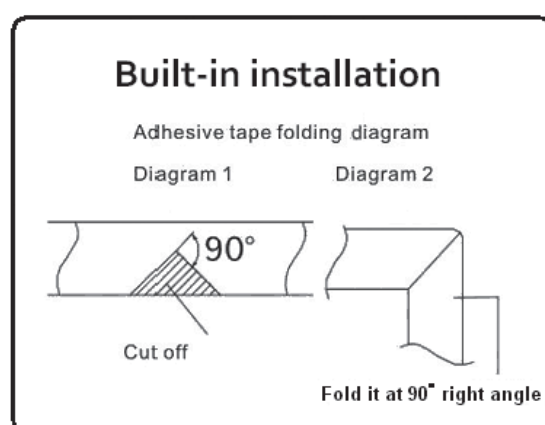


(Compatible for RIC-SNG211)

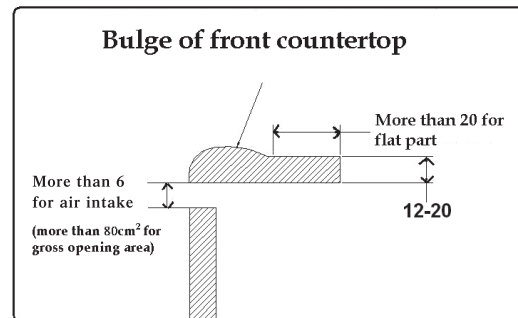
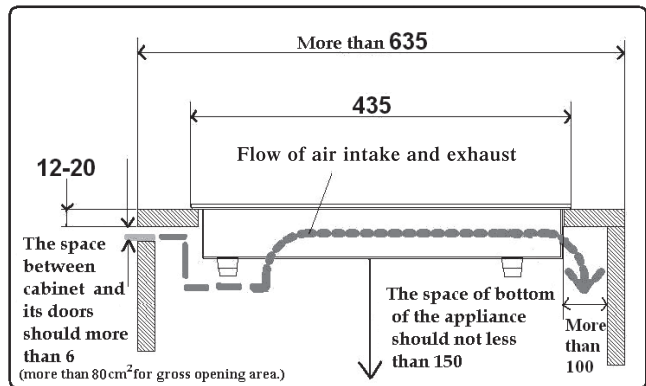
3.1 Adhesive tape

The supplied adhesive tape is about 3 meters long. Cut off 90° (Diagram 1) of the adhesive tape and fold it into an inner angle 90° (Diagram 2), then remove the protection paper of the adhesive tape, adhere to the surrounding of the countertop. Remove the protection paper from the other side of the adhesive tape, then place the appliance on top of the countertop accurately and compress tightly.

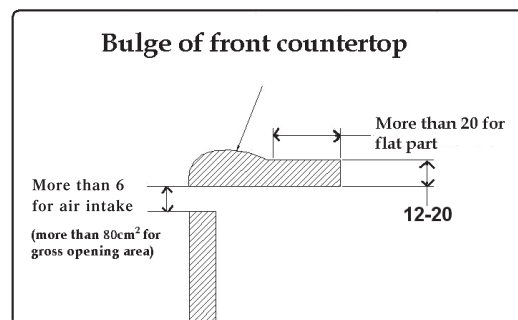
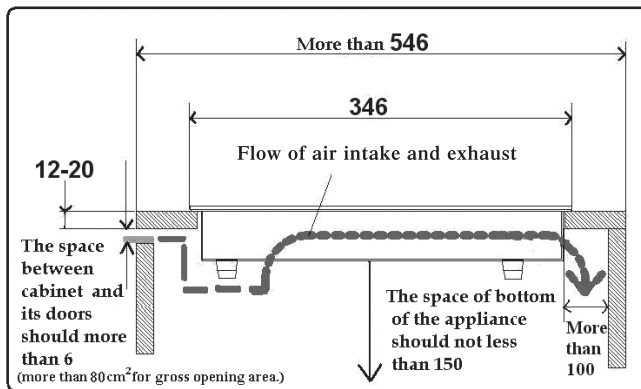
*** **Note:** Stick the adhesive tape around the countertop. Do not cut it apart; otherwise, it may affect the sealing performance.



3.2 Ensure the space of intake to the cabinet and the space at bottom of the appliance are correct for sufficient ventilation. (Unit: mm)



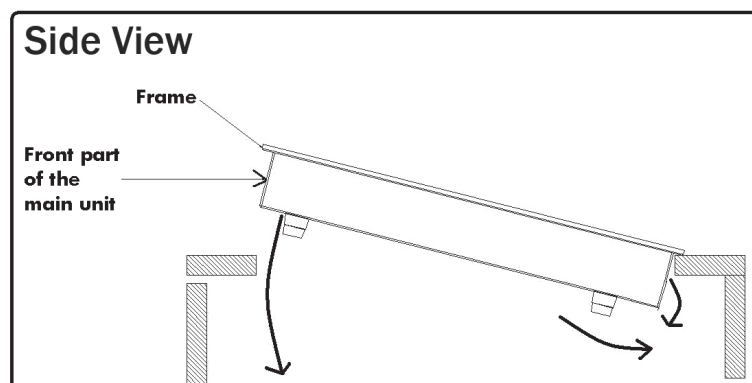
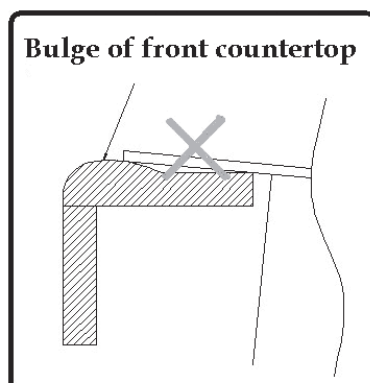
(Compatible for RIC-SNG228)



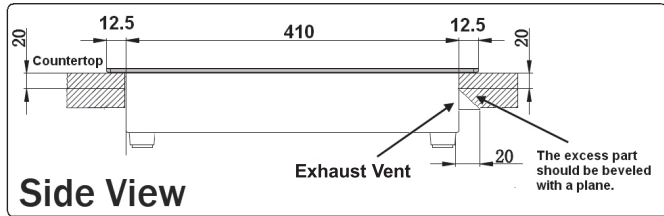
(Compatible for RIC-SNG211)

Insert the appliance backside into countertop first and fit whole unit.

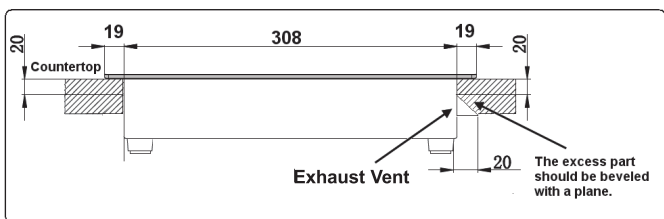
- Do not drop the appliance onto the countertop.
- Confirm the clearance distance between the bottom frame and the countertop are exactly same from front to back and from side to side.
- If power cord is trapped between the cabinet and the bottom/ side of the appliance, the existence of uneven gap may cause vibration.
- If there is a bulge on the countertop, do not install the appliance on top of it.
- Place the appliance horizontally into the installation hole and make sure the appliance is installed evenly and stable.



3.3 If the thickness of the countertop exceeds 20 mm, the exceed part of the back of countertop should be beveled with a plane. (Unit: mm)



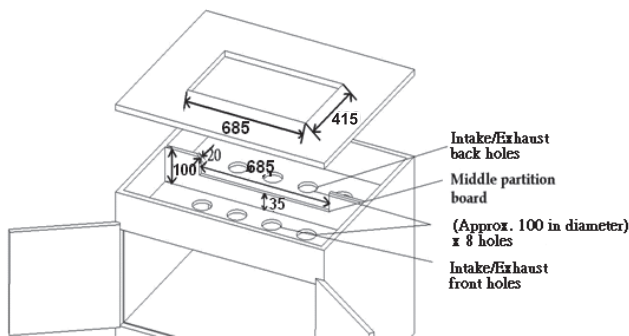
(Compatible for RIC-SNG228)



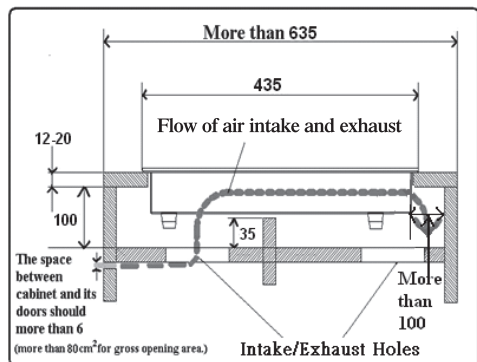
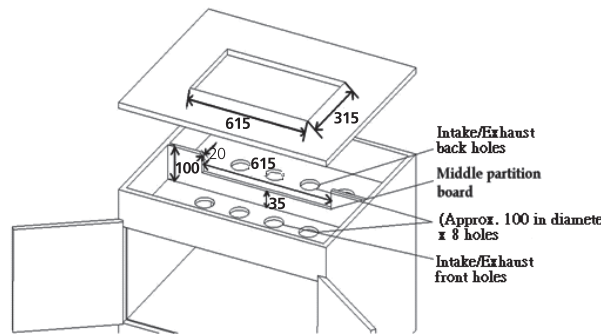
(Compatible for RIC-SNG211)

3.4 In case the partition board is installed, or there is no air intake part. (Unit: mm)
Make use of holesaw to create holes on the partition (see the picture below)

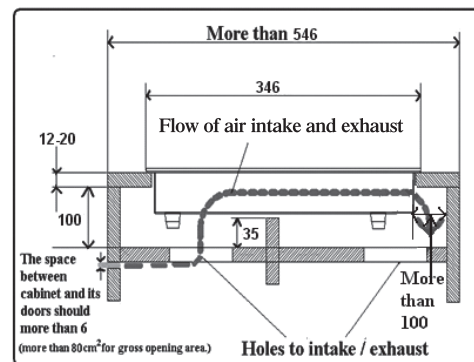
Ventilation of cabinet and cutout dimension of the countertop



Ventilation of cabinet and cutout dimension of the countertop



(Compatible for RIC-SNG228)



(Compatible for RIC-SNG211)

Important Notice

Do not place any miscellaneous objects at the bottom of the appliance for sufficient ventilation.

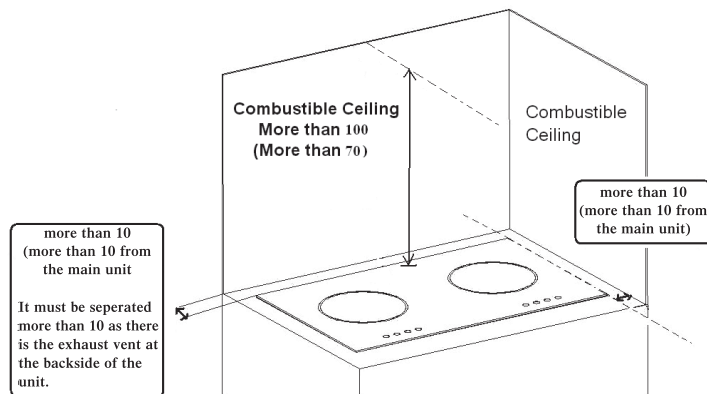
4. Installation Location

(Unit: cm)

Distance from the wall (If surrounding wall is combustible / non fire protection construction wall)

*** Note: Example in the blanket which equipped with flameproof construction or heat insulation board will be introduced.

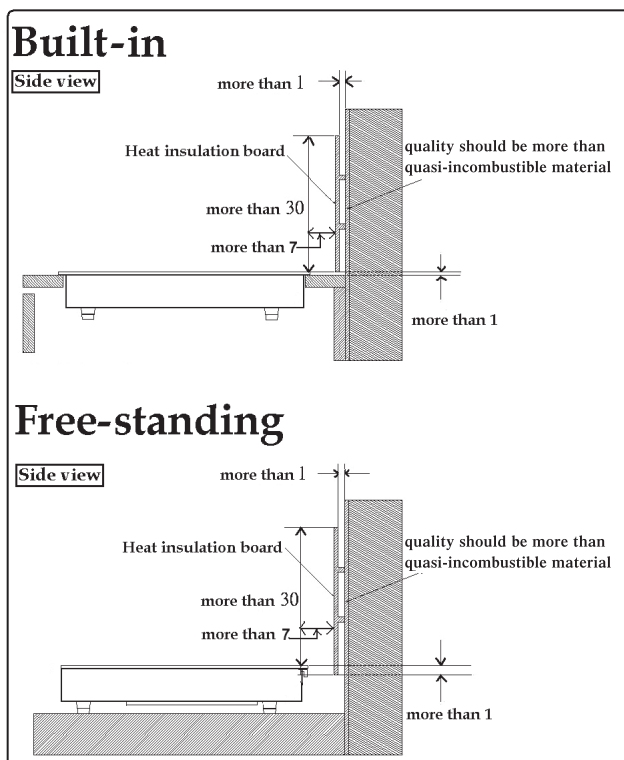
Appliance Installation Location Instruction



Installation of heat insulating board

(Unit: cm)

If the actual situation cannot fulfill the recommendation shown above, install heat insulation board instead and follow the installation instruction shown below.



Important Notice

Do not let the appliance metal parts in contact with those metals in the kitchen during installation.

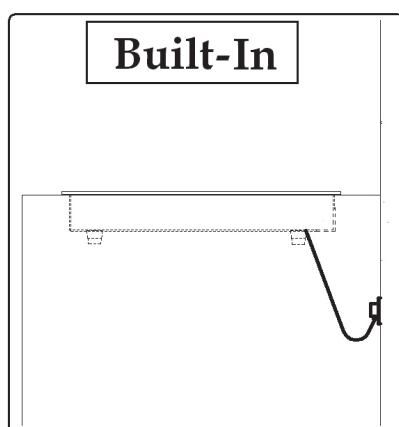
If the metal part of the appliance is touching another metal material, keep the material inside the wall (i.e. metal lath)

5. Electrical Work (Electrical work should be carried out by qualified electrician.)

- The local wiring, earthing and safety regulations must be followed.
- Power supply shall be disconnect easily in case of emergency.
- To avoid stretching or twisting the power cord, beware of power plug direction.

5.1 Installation of wall socket (Built-in)

- Install the power socket at a location where the plug can be taken off easily during normal usage.



5.2 Installation of wall socket (Free-standing)

- Install the power socket to a location away from hot air, water source and food-spattered areas.

6. Special Avowal

1. This information above has been checked; our company reserves the hermeneutic power to any print errors or misunderstanding on the content.
2. Please note that any technology improvement will be added to the new versions of operation manual and installation instruction without any prior notices.
3. In case there is any inconsistency or conflict between the English versions and Chinese versions of the terms, the Chinese versions shall prevail.
4. The product appearance, color, specification, installation diagram and installation size etc. are subject to the actual appliance.
5. E-copy of installation manual can be sent by e-mail on request, please call Shun Hing Electric Works & Engineering Co., Ltd at 2861 2767.



Rasonic 樂信牌

信興電工工程有限公司

SHUN HING ELECTRIC WORKS AND ENGINEERING CO., LTD.

辦公室：香港九龍尖沙咀東部麼地道67號半島中心9樓

電話：2861 2767

圖文傳真：2865 6706

網址：<http://www.rasonic.com>

電郵：shew@shunhinggroup.com

Office: 9/F, Peninsula Centre, 67 Mody Road, Tsim Sha Tsui East, Kowloon, Hong Kong

Tel: 2861 2767

Fax: 2865 6706

Website: <http://www.rasonic.com>

E-mail: shew@shunhinggroup.com

保養及維修 Maintenance and Repair Service:

信興電器服務中心有限公司

SHUN HING ELECTRIC SERVICE CENTRE LTD.

香港新界葵涌勝耀街2號信興中心11樓

服務熱線：2406 5666

傳真號碼：2408 0316

網址：<http://www.shesc.com/zh>

11/F, Shun Hing Centre, 2 Shing Yiu Street, Kwai Chung, N.T. HK

Service Hotline: 2406 5666

Fax No.: 2408 0316

Website: <http://www.shesc.com/en>

客戶服務中心：

香港新界葵涌勝耀街2號信興中心1樓

九龍尖沙咀東部麼地道67號半島中心B座9樓

香港天后琉璃街7號柏景中心22樓

澳門慕拉士大馬路193-199號南嶺工業大廈5樓I座

Customer Service Centre

1/F, Shun Hing Centre, 2 Shing Yiu Street, Kwai Chung, N.T.

9/F., Block B, Peninsula Centre, 67 Mody Road, Tsim Sha Tsui East, Kowloon

22/F, Parkview Centre, 7 Lau Li Street, Tin Hau, Hong Kong

Avenida de Venceslau de Morais, No. 193-199, 5 andar - I, Edf. Industrial Nam Leng, Macau

有關最新之香港及澳門客戶服務中心資料，請參閱信興服務中心網址：<http://www.shesc.com/zh>

For the latest information of Hong Kong and Macau service center, please visit <http://www.shesc.com/en>

RIC-S1022